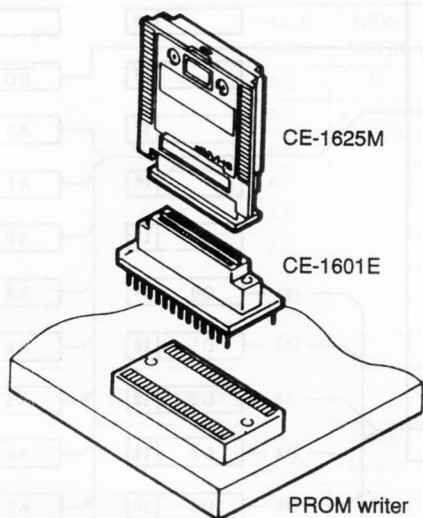


SHARP SERVICE MANUAL

CODE: 00ZCE1625MSME



MODEL CE-1625M

• PROM Module

1. INTRODUCTION

- The CE-1625M is a revised model of the CE-1620M. The EP-ROM write voltage of the CE-1625M is 12.5V, while that of the CE-1620M is 21V. For the other specifications than the write voltage, the CE-1625M is the same as the CE-1620M.
- The CE-1625M is a 32KB PROM module to be used in the PC-1600 Pocket Computer. For only a single chip of the PROM is mounted on the board, it may not require to replace the PROM chip only. To troubleshoot a failure in the PROM, replace the whole unit. Note that the program stored in the PROM will be lost, then.

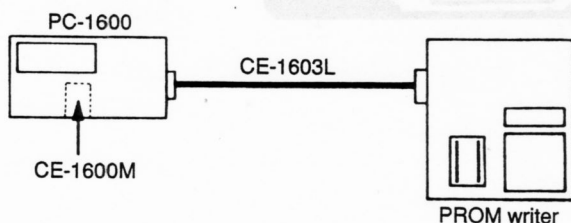
2. SPECIFICATIONS

Model	: CE-1625M (32KB PROM Module)
Operating temperature	: 0°C ~ 40°C
Physical dimension	: 40.9mm × 42.8mm × 8.5mm
Approx	: 12g
Accessories	: Case, space cover, instruction book

3. WRITING A PROGRAM INTO THE CE-1625M

<Necessary equipment>

Portable computer	: PC-1600
Program module	: CE-1600M (32K RAM module)
Connection cable	: CE-1603L (for RS-232C terminals)
PROM writer	: DATA I/O Model 29B or Model 22, 201
Writing interface	: CE-1601E
PROM module	: CE-1625M



Set the PROM writer in accordance with Fujitsu 27C256A. This setting will provide a writing voltage (Vpp) of 12.5V.

[Note]

When writing data into PROM, select the suitable mode according to the model.

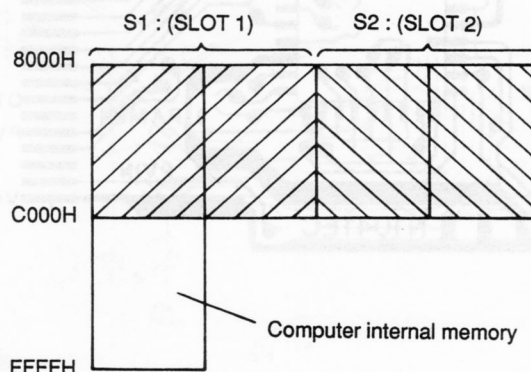
Model	PROM writer write mode setting	
	CE-1625M	CE-1620M
CE-1625M	Normal writing	Product breakage
CE-1620M	Disable to write. Product is not broken.	Normal writing

(About the procedure to write a program into the CE-1625M, see the instruction book of the CE-1625M.)

4. Precautions

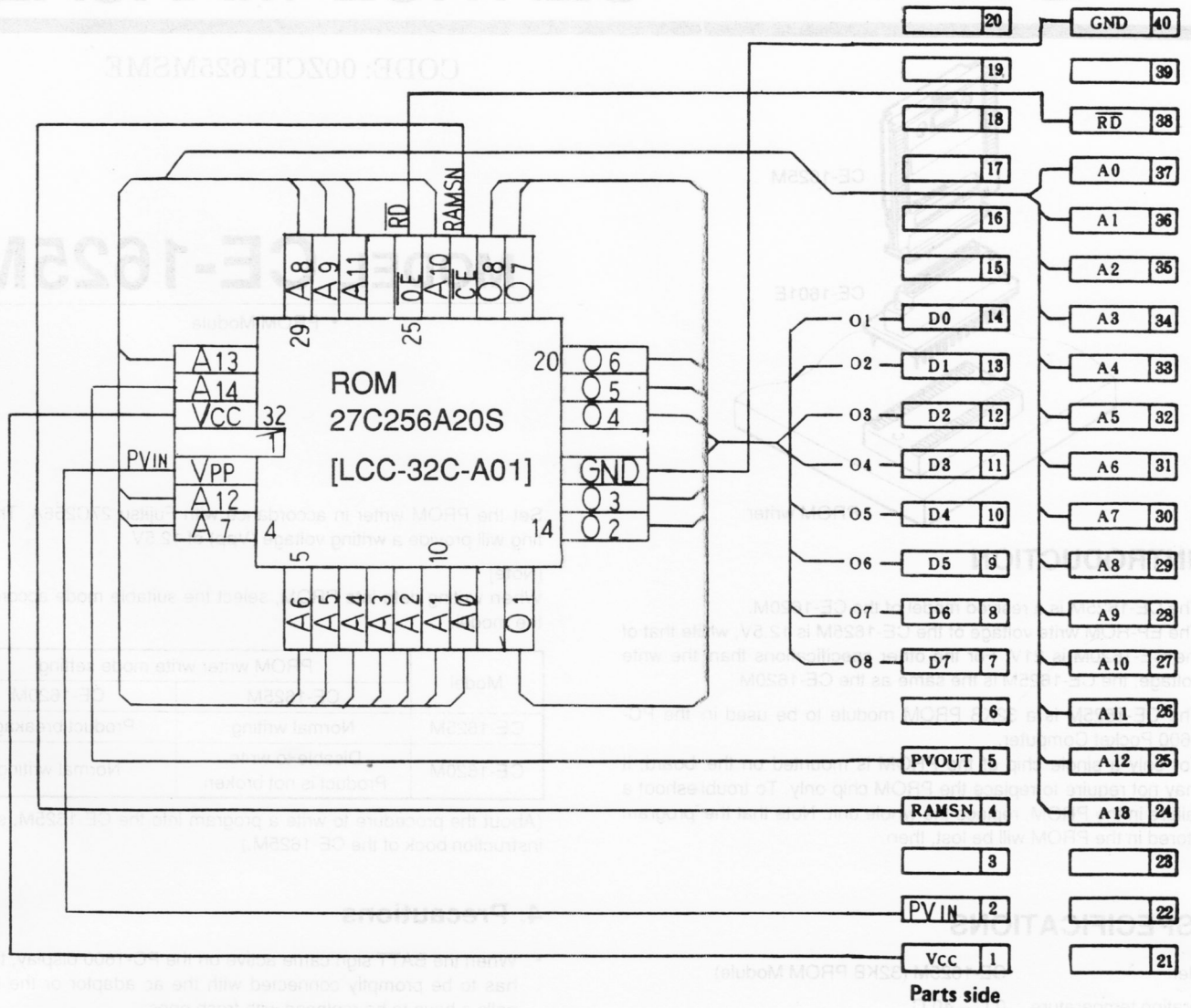
- When the BATT sign came active on the PC-1600 display, the unit has to be promptly connected with the ac adaptor or the battery cells a have to be replaced with fresh ones.
- See the PC-1600 Instruction Book for replacement procedure of battery cells.
- Pay attention for static when handling the module as it may likely to destruct an internal circuit. Before handling the module, touch a metallic portion of a door knob, or a desk to release static charge in your body. Never touch the module terminals.

5. Memory Map (PC-1600)

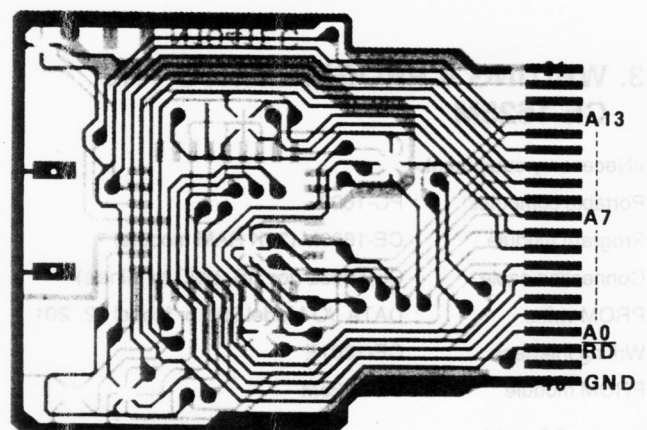
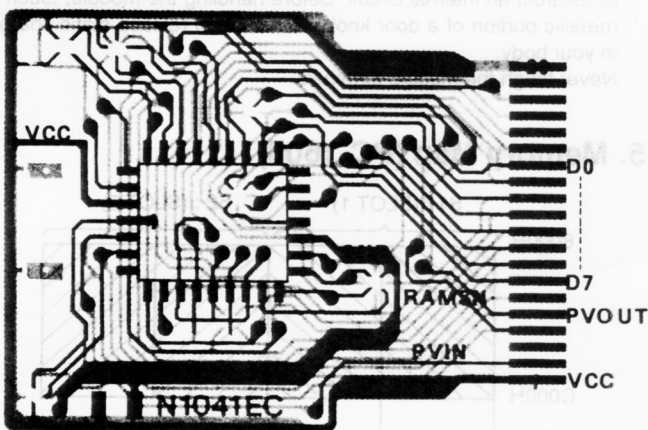


This document has been published to be used for after sales service only.
The contents are subject to change without notice.

6. CE-1625M Circuit Diagram



7. CE-1625M Parts & Signal Description



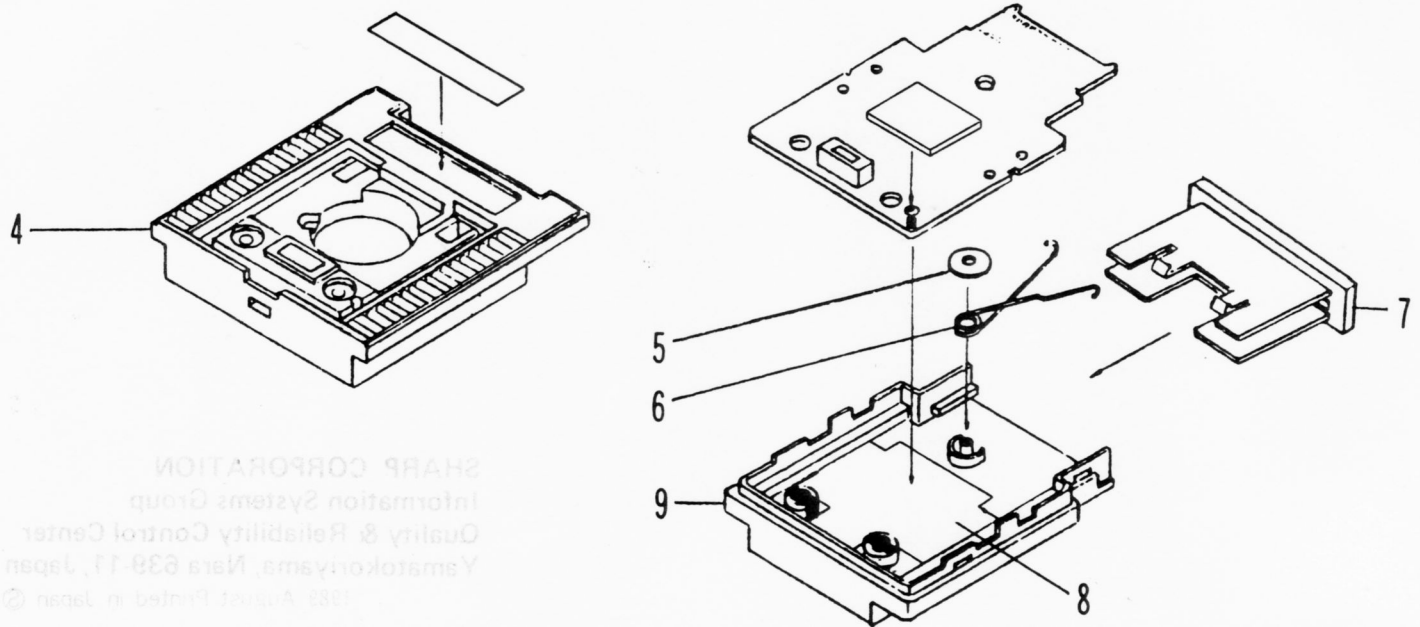
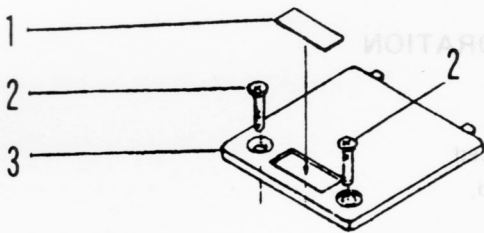
8. CE-1625M Parts List & Guide

1 Exteriors

NO.	PARTS CODE	PRICE RANK	NEW MARK	PART RANK	DESCRIPTION
1	HDECA1014ECZZ	AB	N	C	Panel
2	LX-BZ1007ECZZ	AA		C	Screw
3	HDECA1006ECZC	AF	N	C	DEC. panel
4	GCABB1003ECZZ	AC		D	Top cabinet
5	PSHEP1011ECZZ	AB		C	Sheet
6	MSPRC1202CCZZ	AC		C	Spring
7	GCABC2672CCSA	AC		D	Terminal cover
8	PSLDC1010ECZZ	AB		C	Shield panel
9	GCABA1004ECZZ	AF		D	Bottom cabinet

2 Packing material & Accessories

NO.	PARTS CODE	PRICE RANK	NEW MARK	PART RANK	DESCRIPTION
1	SPA KC0460ECZZ	AK	N	D	Packing case
2	SPA KA7307CCZZ	AC		D	Packing cushion
3	GCASP1091CCZZ	AE		D	Plastic case (bottom)
4	GCASP1092CCZZ	AD		D	Plastic case (top)
5	PPACG1001ECZZ	AE		C	Cushion (in plastic case)
6	GFTAU1281CCSA	AB		D	Space cover
7	TCAUZ1003ECZZ	AE		C	Caution label
8	TCAUH1007ECZZ	DD	N	D	Caution card
9	TINSE1183ECZZ	AU	N	D	Instruction book (English)
10	SSAKA2011KCZZ	AA		D	Vinyl bag (60 × 100)
11	SSAKH0130QCZZ	AA		D	Vinyl bag (80 × 140)
12	UKOGD1009CCZZ	AC		D	Screwdriver ⊕



NO.	PARTS CODE	PRICE RANK	NEW MARK	PART RANK	DESCRIPTION
1	AB	AB	N	C	Panel
2	AA	AA		C	Screw
3	AF	AF	N	C	DEC panel
4	AC	AC		D	Top cabinet
5	AB	AB		C	Sheet
6	AC	AC		C	Spring
7	AC	AC		D	Terminal cover
8	AB	AB		C	Shield panel
9	AF	AF		D	Bottom cabinet

NO.	PARTS CODE	PRICE RANK	NEW MARK	PART RANK	DESCRIPTION
1	AK	AK	N	D	Packing case
2	AC	AC		D	Packing cushion
3	AE	AE		C	Plastic case (bottom)
4	AD	AD		D	Plastic case (top)
5	AE	AE		C	Cushion (in plastic case)
6	AB	AB		D	Space cover
7	AE	AE		C	Caution label
8	BD	BD	N	D	Caution card
9	AU	AU	N	D	Instruction book (English)
10	AA	AA		D	Vinyl bag (80 x 100)

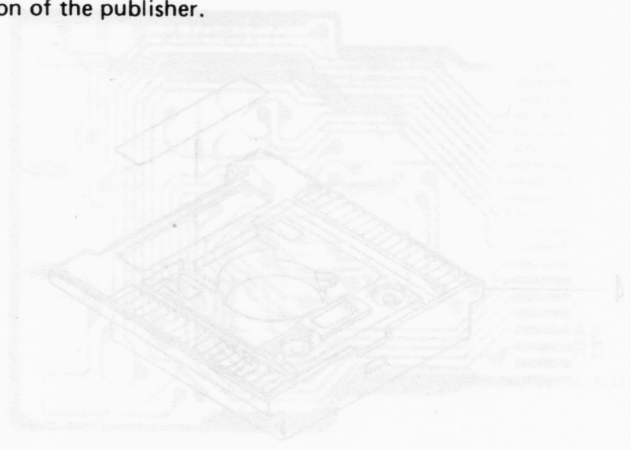
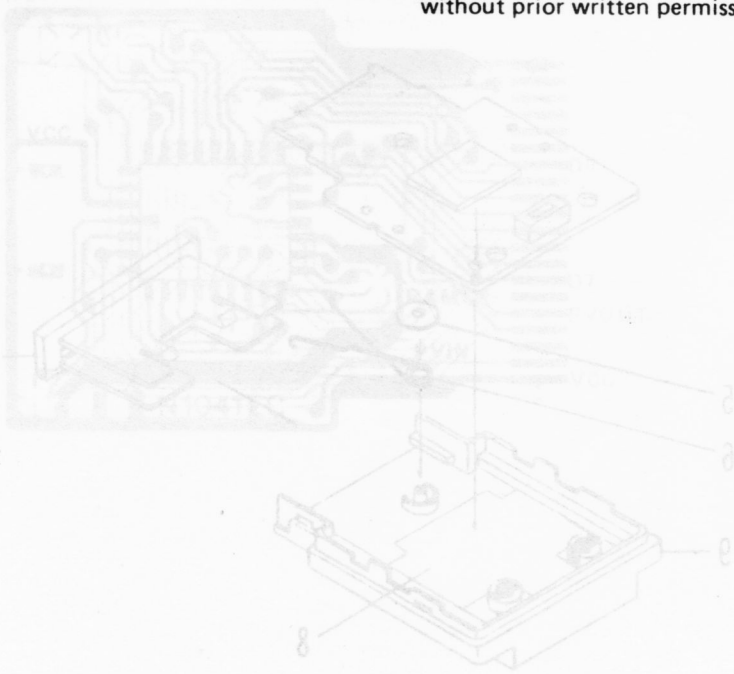
SHARP

COPYRIGHT © 1989 BY SHARP CORPORATION

All rights reserved.

Printed in Japan.

No part of this publication may be reproduced, stored in a retrieval system, or transmitted, in any form or by any means, electronic, mechanical, photocopying, recording, or otherwise, without prior written permission of the publisher.



SHARP CORPORATION
 Information Systems Group
 Quality & Reliability Control Center
 Yamatokoriyama, Nara 639-11, Japan
 1989 August Printed in Japan